



QUARTER-TURN T-HANDLE STAINLESS STEEL 18 MM

Quarter-turn locking T-handle in acid-proof stainless steel 316. Universal clockwise or counter-clockwise rotation when opening or closing the handle. Supplied with nut and two keys.



MATERIAL

Cylinder: Zinc die cast, stainless steel 304 cap and dust shutter

Handle: Stainless steel 316

RELATED PRODUCTS

Rods: 2-540, 2-541, 2-545

Rod guides: 2-560, 2-570

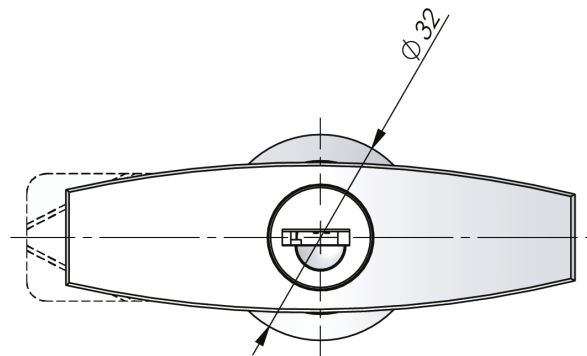
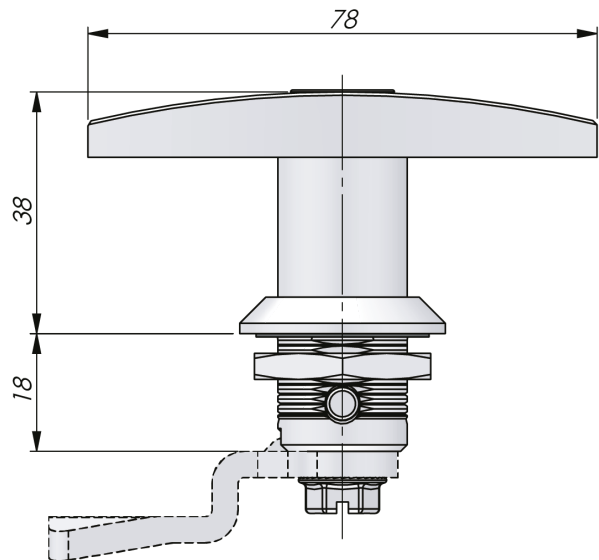
Rod adapters: 2-541

Cams: 2-490, 2-480, 2-510, 2-520

Use the Index Code at industrilas.com

TECHNICAL INFORMATION

Cutout: COMBI



Industrilas
— When access counts —

P/N	Description
259005	Keyed alike IL0333

